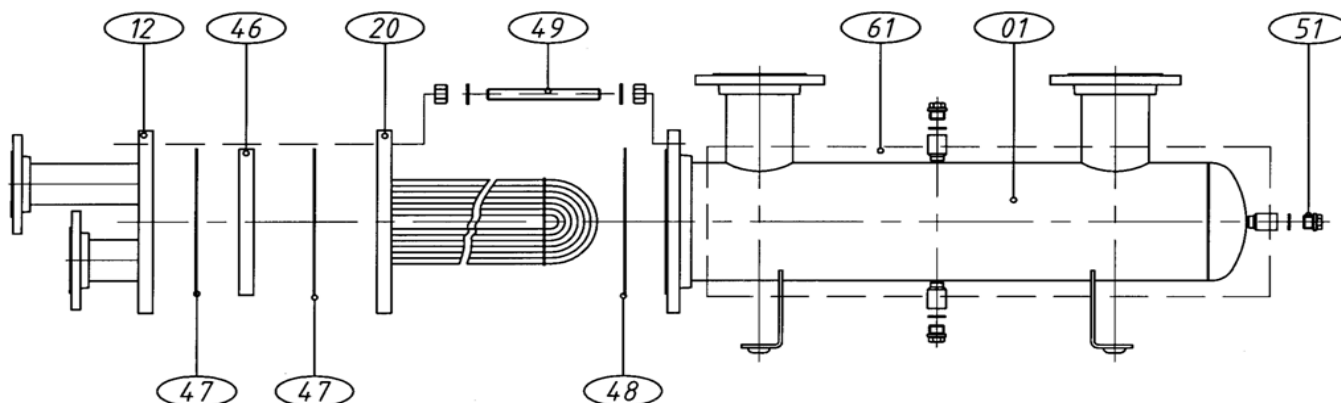


Spare parts V16 (2P-4P) (LP-HP)



Pos.no.	Description	Article no.	Drawing no.	Remarks	Material	Quantity	Packing * Dimens. cm	Weight * Kg	Total Quantity
46	Channel ring 2P	4S0099V160001	V16-74-001		C.Steel	Piece	25x25x7	3,50	
46	Channel ring 2P	4S0099V160002**	V16-74-002	Coated	C.Steel	Piece	25x25x7	3,50	
46	Channel ring 4P	4S0099V160003	V16-74-002		C.Steel	Piece	25x25x7	3,50	
46	Channel ring 4P	4S0099V160004**	V16-74-004	Coated	C.Steel	Piece	25x25x7	3,50	
47/48	Gasket set 2P	4S0099V160005			Novatec	Set of 3	25x25x7	0,20	
47/48	Gasket set 4P	4S0099V160006			Novatec	Set of 3	25x25x7	0,20	
49	Bolting complete	4S0099V160007		LP version	St.	Set of 8	25x25x7	6,00	
49	Bolting complete	4S0099V160008		HP version	St.	Set of 8	25x25x7	7,00	
51	Plug complete	4S00993810050		1/2" BSP	St.	Set of 3	25x25x7	0,25	
01	Shell	**		Misc		Piece	On request		
12	Cover	**		Misc		Piece	On request		
61	Insulation	**		Misc		Piece	On request		
20	Tubestack	**		Misc		Piece	On request		

Repair and cleaning

Brush for tube 10mm	6840095000010					Piece	25x25x7	0,01	
Tube brush handle	6840095000012			L=1000mm		Piece	25x25x7	0,04	
Plug for tube 10mm	4S00991000005					Set of 10	25x25x7	0,13	

Each total order amount below € 90,- will be extra charged with € 40,- handling costs

\* All quantities, packing dimensions, weight, and prices per packaging unit

Please always mention nameplate data :	Bloksma drawing no.:
	Bloksma order no.:

Delivery : CIP (freight cost will be charged)  
 (un)packed Almere Incoterms 2000  
 Delivery time : Subject to availability / Art. \*\* on request  
 Payment : Payment in advance of shipment  
 or according Bloksma agreement.  
 Validity of offer : 3 months  
 Pricing : Based on delivery in 2011  
 Your contact : Bloksma Service dept.  
 Direct Tel : 0031-36-5291815  
 Direct Fax : 0031-36-5492395  
 E-Mail : [GEA-Bloksma-Service@geagroup.com](mailto:GEA-Bloksma-Service@geagroup.com)

Delivery address	
Signature client:	
Date:	

[www.gea-bloksma.com](http://www.gea-bloksma.com)

Tel. 0031 (0)36 5492300 - Fax 0031 (0)36 5492395

E-Mail: [GEA-Bloksma-Service@geagroup.com](mailto:GEA-Bloksma-Service@geagroup.com)

The data and information given is subject to change without prior notice.