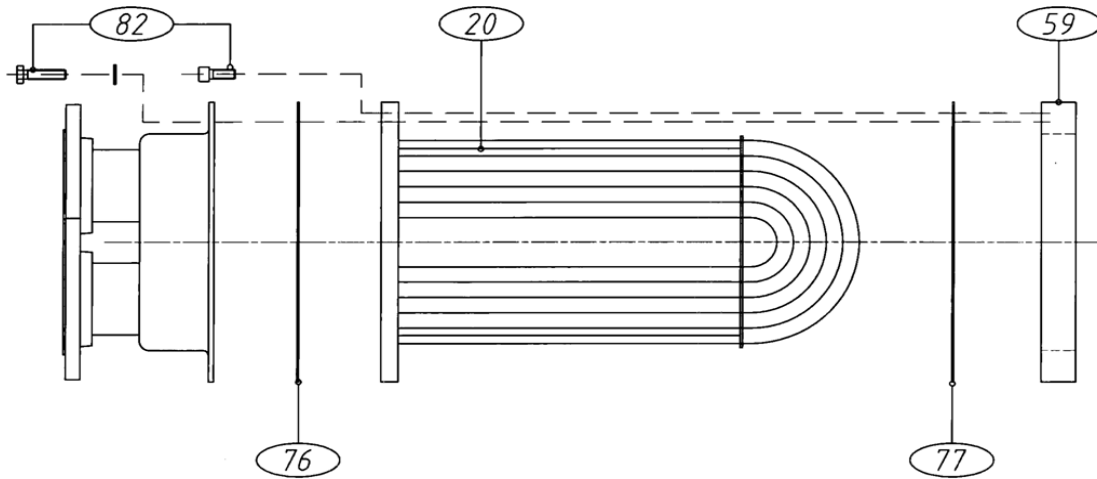


Spare parts K10 (2P-4P-8P)



Pos.no.	Description	Article no.	Drawing no. or Remarks	Outside Dimens. mm	Material	Quantity *	Packing * Dimens. cm	Weight * Kg	Price * Euro	Total Quantity
59	Mounting ring K10-38	4S0099K380001**	K38-59-001	448 x 704	C.Steel	Piece	75 x45x15	30,00		
59	Mounting ring K10-50	4S0099K500001**	K50-59-001	448 x 896	C.Steel	Piece	90 x45x15	35,00		
59	Mounting ring K10-62	4S0099K620001**	K62-59-001	448 x 1088	C.Steel	Piece	110x45x15	40,00		
59	Mounting ring K10-74	4S0099K740001**	K74-59-001	448 x 1280	C.Steel	Piece	130x45x15	45,00		
59	Mounting ring K10-86	4S0099K860001**	K86-59-001	448 x 1472	C.Steel	Piece	150x45x15	50,00		
59	Mounting ring K10-98	4S0099K980001**	K98-59-001	448 x 1664	C.Steel	Piece	170x45x15	55,00		
59	Mounting ring K10-110	4S0099K110001**	K110-59-001	448 x 1856	C.Steel	Piece	190x45x15	60,00		
76/77	Gasket set K10-38	4S0099K380002**	2P-4P-8P	448 x 704	Kork rub.	Set of 2	25x20x20	3,00		
76/77	Gasket set K10-50	4S0099K500002**	2P-4P-8P	448 x 896	Kork rub.	Set of 2	25x20x20	3,00		
76/77	Gasket set K10-62	4S0099K620002**	2P-4P-8P	448 x 1088	Kork rub.	Set of 2	25x20x20	3,50		
76/77	Gasket set K10-74	4S0099K740002**	2P-4P-8P	448 x 1280	Kork rub.	Set of 2	25x20x20	3,50		
76/77	Gasket set K10-86	4S0099K860002**	2P-4P-8P	448 x 1472	Kork rub.	Set of 2	25x20x20	4,00		
76/77	Gasket set K10-98	4S0099K980002	2P-4P-8P	448 x 1664	Kork rub.	Set of 2	25x20x20	4,00		
76/77	Gasket set K10-110	4S0099K110002**	2P-4P-8P	448 x 1856	Kork rub.	Set of 2	25x20x20	4,00		
82	Bolting complete	4S0099K000001			C.Steel	Cpl set	25x20x20	8,00		
20	Tubestack	**	K10	Misc		Piece	On request			
30	Channel	**	K10	Misc		Piece	On request			
Repair and cleaning										
	Brush for tube 10mm	6840095000010				Piece	25x25x7	0,01		
	Tube brush handle	6840095000012		L=1000mm		Piece		0,04		
	Plug for tube 10mm	4S00991000005				Set of 10	25x25x7	0,13		

Each total order amount below € 90,- will be extra charged with € 40,- handling costs

* All quantities, packing dimensions, weight, and prices per packaging unit

Please always mention nameplate data :	Bloksma drawing no.:
	Bloksma order no.:

Delivery : CIP (freight cost will be charged)
 (un)packed Almere Incoterms 2000
 Delivery time : Subject to availability / Art. ** on request
 Payment : Payment in advance of shipment
 or according Bloksma agreement.
 Validity of offer : 3 months
 Pricing : Based on delivery in 2011
 Your contact : Bloksma Service dept.
 Direct Tel : 0031-36-5291815
 Direct Fax : 0031-36-5492395
 E-Mail : GEA-Bloksma-Service@geagroup.com

Delivery address
Signature client:
Date:

www.gea-bloksma.com

Tel. 0031 (0)36 5492300 - Fax 0031 (0)36 5492395

E-Mail: GEA-Bloksma-Service@geagroup.com

The data and information given is subject to change without prior notice.